

+

# Alpha Bridge ASFP28-25G- LR Datasheet

+

## Features

- Compliant to IEEE802.3by 25GBASE-LR
- Up to 25.78Gb/s data links
- 25G 1310nm DFB transmitter
- 25G PIN photo-detector
- 2-wire interface for management specifications compliantwith SFF-8472 digital diagnostic monitoring interface for optical transceivers
- Operating case temperature: -40 to 85°C
- All-metal housing for superior EMI performance
- 25G electrical interface (OIF CEI-28G-VSR)
- Maximum power consumption 1.5W
- Advanced firmware allow customer system encryptioninformation to be stored in transceiver
- RoHS compliant



## Applications

- High-speed storage area networks
- Computer cluster cross-connect
- Custom high-speed data pipes
- Inter Rack Connection

## Absolute Maximum Ratings

Parameter	Symbol	Min	Max	Unit
Storage Temperature	$T_c$	-40	85	°C
Operating Case Temperature	$T_c$	-40	85	°C
Supply Voltage	$V_{cc}$	0	3.6	V
Relative Humidity	$RH$	5	85	%
Damage Threshold	$THd$	3.0		dBm

## Recommended Operating Conditions

Parameter	Symbol	Min.	Typ.	Max.	Units
-----------	--------	------	------	------	-------

Case Operating Temperature	$T_c$	-40		85	°C
Power Supply Voltage	$V_{cc}$	3.135	3.3	3.465	V
Data Rate, each Lane			25.78125		Gb/s
Data Rate Accuracy		-100		100	ppm
Control Input Voltage High		2		$V_{cc}$	V
Control Input Voltage Low		0		0.8	V
Link Distance with G.652	$D$	0.002		10	km

### Digital Diagnostics Functions

Parameter	Symbol	Accuracy	Unit	Notes
Temperature monitor absolute error	DMI_Temp	± 3	°C	Over operating Temp
Supply voltage monitor absolute error	DMI_VCC	±0.1	V	Full operating range
RX power monitor absolute error	DMI_RX	± 2 dB	dB	1
Bias Current monitor	DMI_Ibias	± 10%	mA	
Laser power monitor absolute error	DMI_TX	± 2 dB	dB	1

Notes:

1. Due to measurement accuracy of different single mode fibers, there could be an additional +/- 1 dB fluctuation, or a +/- 3 dB total accuracy.

### Electrical Characteristics

Parameter	Symbol	Min	Typical	Max	Unit	Notes
Power Consumption				3.5	W	
Supply Current	I <sub>cc</sub>			1.1	A	
Transceiver Power-on Initialization Time				2000	ms	1

Notes:

1. Power-on initialization time is the time from when the power supply voltages reach and remain above the minimum recommended operating supply voltages to the time when the module is fully functional.

### optical Characteristics

Parameter	Symbol	Min	Typical	Max	Unit	Notes
	L0	1264.5	1271	1277.5	nm	
	L1	1284.5	1291	1297.5	nm	
Wavelength assignment	L2	1304.5	1311	1317.5	nm	
	L3	1324.5	1331	1337.5	nm	

### Transmitter Electro-optical Characteristics

$V_{cc} = 3.135 \text{ V to } 3.465 \text{ V}$ ,  $T_C = -40 \text{ }^\circ\text{C to } 85 \text{ }^\circ\text{C}$

Parameter	Symbol	Min.	Typ.	Max.	Units	Note
-----------	--------	------	------	------	-------	------

Power Consumption				1.5	W	
Supply Current	<i>I<sub>cc</sub></i>			450	mA	
Overload Differential Voltage pk-pk	<i>TP1a</i>	900			mV	
Common Mode Voltage (V <sub>cm</sub> )	<i>TP1</i>	-350		2850	mV	1
Differential Termination Resistance Mismatch	<i>TP1</i>			10	%	At 1MHz
				See CEI-28G-		
Differential Return Loss (SDD11)	<i>TP1</i>			VSR Equation	dB	
				13-19		
Common Mode to Differential conversion and Differential to Common Mode conversion (SDC11, SCD11)	<i>TP1</i>			See CEI-28G-		
				VSR Equation	dB	
				13-20		
		See CEI-28G-				
Stressed Input Test	<i>TP1a</i>	VSR Section				
		13.3.11.2.1				
Center Wavelength	$\lambda$	1295		1325	nm	
Side Mode Suppression Ratio	<i>SMSR</i>	30			dB	
Average Optical Power	<i>P<sub>avg</sub></i>	-7	---	2	dBm	
OMA	<i>POMA</i>	-4		2.2	dBm	2
Launch Power in OMA minus Transmitter and Dispersion Penalty (TDP)		-5			dBm	
Transmitter Dispersion Penalty	<i>TDP</i>			2.7	dB	
Extinction Ratio	<i>ER</i>	3.5	---	---	dB	
Relative Intensity Noise	<i>RIN<sub>20OMA</sub></i>			-130	dB/Hz	
Optical Return Loss Tolerance	<i>TOL</i>	---	---	20	dB	
Transmitter Reflectance	<i>RT</i>			-26	dB	
Average Launch Power OFF Transmitter	<i>P<sub>off</sub></i>			-30	dBm	

Note 1: Average optical power shall be measured using the methods specified in TIA/EIA-455-95

### Receiver Electro-optical Characteristics

V<sub>cc</sub> = 3.135 V to 3.465 V, T<sub>c</sub> = -40 °C to 85 °C

Parameter	Symbol	Min.	Typ.	Max.	Units	Note
Differential Voltage, pk-pk	<i>TP4</i>			900	mV	
Common Mode Voltage (V <sub>cm</sub> )	<i>TP4</i>	-350		2850	mV	1
Common Mode Noise, RMS	<i>TP4</i>			17.5	mV	
Differential Termination Resistance Mismatch	<i>TP4</i>			10	%	At 1MHz

				See CEI-28G-		
Differential Return Loss (SDD22)	<i>TP4</i>			VSR Equation	dB	
				13-19		
Common Mode to Differential conversion and				See CEI-28G-		
Differential to Common Mode conversion	<i>TP4</i>			VSR Equation	dB	
(SDC22, SCD22)				13-21		
Common Mode Return Loss (SCC22)	<i>TP4</i>			-2	dB	2
Transition Time, 20 to 80%	<i>TP4</i>	9.5			ps	
Vertical Eye Closure (VEC)	<i>TP4</i>			5.5	dB	
Eye Width at 10 <sup>-15</sup> probability (EW15)	<i>TP4</i>	0.57			UI	
Eye Height at 10 <sup>-15</sup> probability (EH15)	<i>TP4</i>	228			mV	
Center Wavelength	$\lambda_r$	1295		1325	nm	
Damage Threshold	<i>TH<sub>d</sub></i>	3			dBm	3
Average Receive Power		-14		2	dBm	
Receive Power (OMA)				2.2	dBm	
Receiver Sensitivity (OMA)	<i>SEN</i>			-12	dBm	for BER =
						5x10 <sup>-5</sup>
Stressed Receiver Sensitivity (OMA)				-9.5	dBm	4
Receiver Reflectance	<i>R<sub>R</sub></i>			-26	dB	
LOS Assert	<i>LOSA</i>	-30			dBm	
LOS Deassert	<i>LOSD</i>			-15	dBm	
LOS Hysteresis	<i>LOSH</i>	0.5			dB	
Receiver Electrical 3 dB upper Cutoff						
	<i>F<sub>c</sub></i>			31	G/Hz	

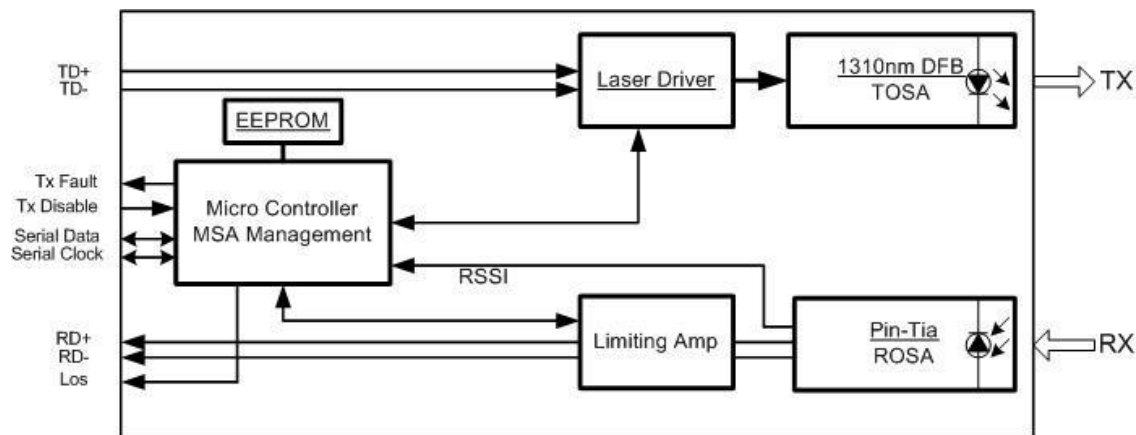
Vertical Eye Closure Penalty, each Lane	2.5	dB
Stressed Eye J2 Jitter	0.27	UI
Stressed Eye J4 Jitter	0.39	UI
SRS Eye Mask Definition {X <sub>1</sub> , X <sub>2</sub> , X <sub>3</sub> , Y <sub>1</sub> , Y <sub>2</sub> , Y <sub>3</sub> } Hit ratio 5x10 <sup>-5</sup> per sample	{0.31, 0.4, 0.45, 0.34, 0.38, 0.4}	
Note:		

### Notes

1. Vcm is generated by the host. Specification includes effects of ground offset voltage.
2. From 250MHz to 30GHz.

- +
3. The receiver shall be able to tolerate, without damage, continuous exposure to a modulated optical input signal having this power level on one lane. The receiver does not have to operate correctly at this input power.
  4. Measured with conformance test signal at receiver input for BER =  $5 \times 10^{-5}$ .
  5. Vertical eye closure penalty, stressed eye J2 jitter, stressed eye J4 jitter, and SRS eye mask definition are test conditions for measuring stressed receiver sensitivity. They are not the required characteristics of the receiver.
  - 6.

### Block Diagram of Transceiver



This 1310 nm DFB 25Gb/s SFP28 LR transceiver is designed to transmit and receive optical data over single mode optical fiber for link length up to 10km.

The module optical connection is duplex LC and shall be compatible with SFP+ 28Gbps and backward compatible with legacy 10G SFP+ pluggable. The SFP28 LR module is a dual directional device with a transmitter and receiver plus a control management interface (2-wire interface) in the same physical package. 2-wire interface is used for serial ID, digital diagnostics and module control function.

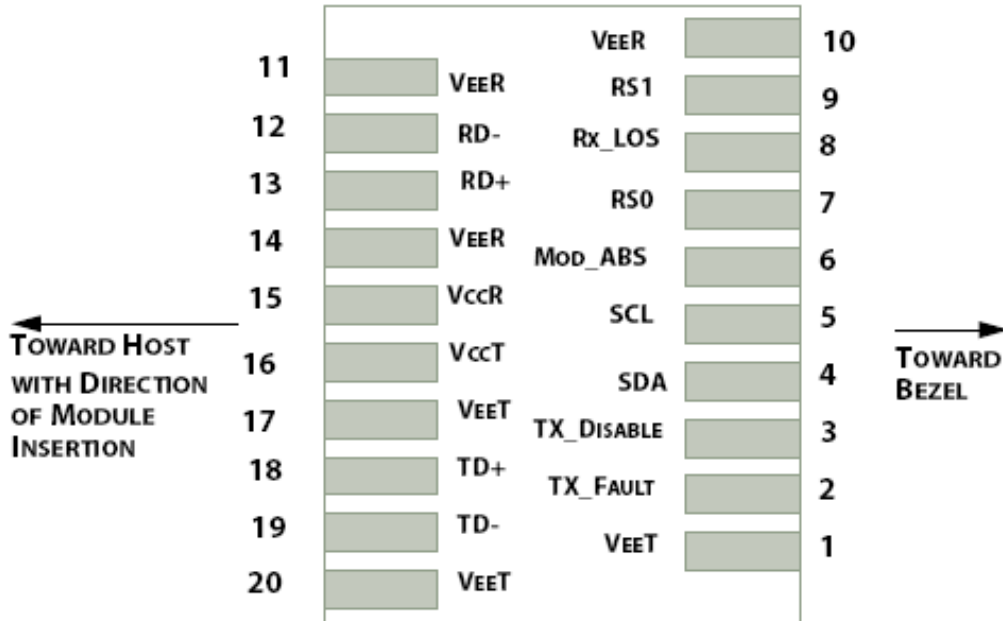
The module operates by a single +3.3V power supply. LVCMOS/LVTTL global control signals, such as Module Present, Reset, Interrupt and Low Power Mode, are available with the modules. The SFP28 LR module electrical interface is compliant to OFI CEI-VSR-28G-VSR. It has been designed to meet the harshest external operating conditions including temperature, humidity and EMI interference. The module offers very high functionality and feature integration, accessible via a two-wire serial interface.

The transmitter converts 25Gbit/s serial PECL or CML electrical data into serial optical data compliant with the 25GBASE-LR standard. An open collector compatible Transmit Disable (Tx\_Dis) is provided. Logic "1" or no connection on this pin will disable the laser from transmitting. Logic "0" on this pin provides normal operation. The transmitter has an internal automatic power control loop (APC) to ensure constant optical power output across supply voltage and temperature variations. An open collector compatible Transmit Fault (Tx\_Fault) is provided. TX\_Fault is module output contact that when high, indicates that the module transmitter has detected a fault condition related to

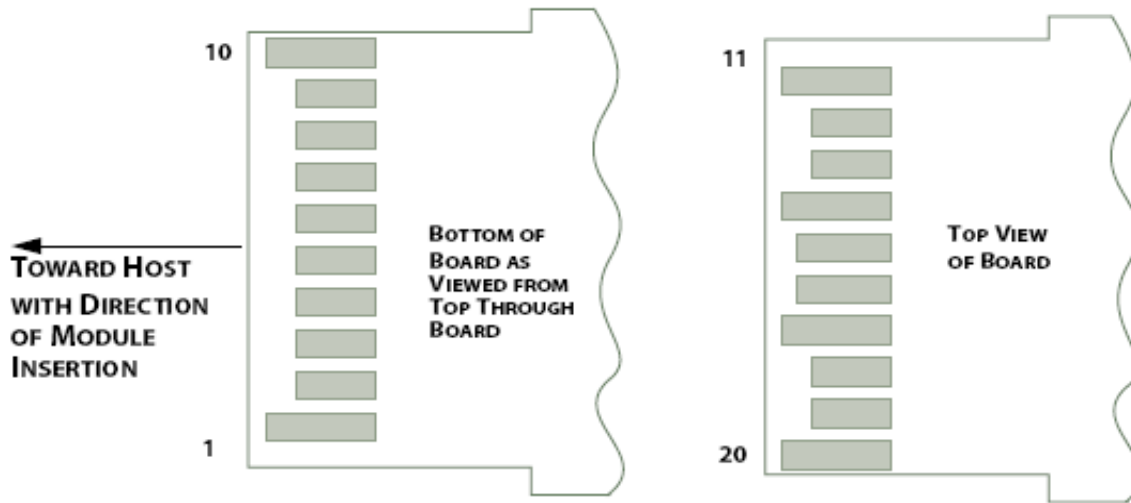
+ laser operation or safety. The TX\_Fault output contact is an open drain/collector and shall be pulled up to the Vcc\_Host in the host with a resistor in the range 4.7-10 kΩ. TX\_Disable is a module input contact. When TX\_Disable is asserted high or left open, the SFP28 module transmitter output shall be turned off. This contact shall be pulled up to VccT with a 4.7 kΩ to 10 kΩ resistor

The receiver converts 25Gbit/s serial optical data into serial PECL/CML electrical data. An open collector compatible Loss of Signal is provided. Rx\_LOS when high indicates an optical signal level below that specified in the relevant standard. The Rx\_LOS contact is an open drain/collector output and shall be pulled up to Vcc\_Host in the host with a resistor in the range 4.7-10 kΩ, or with an active termination. Power supply filtering is recommended for both the transmitter and receiver. The Rx\_LOS signal is intended as a preliminary indication to the system in which the SFP28 is installed that the received signal strength is below the specified range. Such an indication typically points to non-installed cables, broken cables, or a disabled, failing or a powered off transmitter at the far end of the cable.

**Pin Assignment**



+

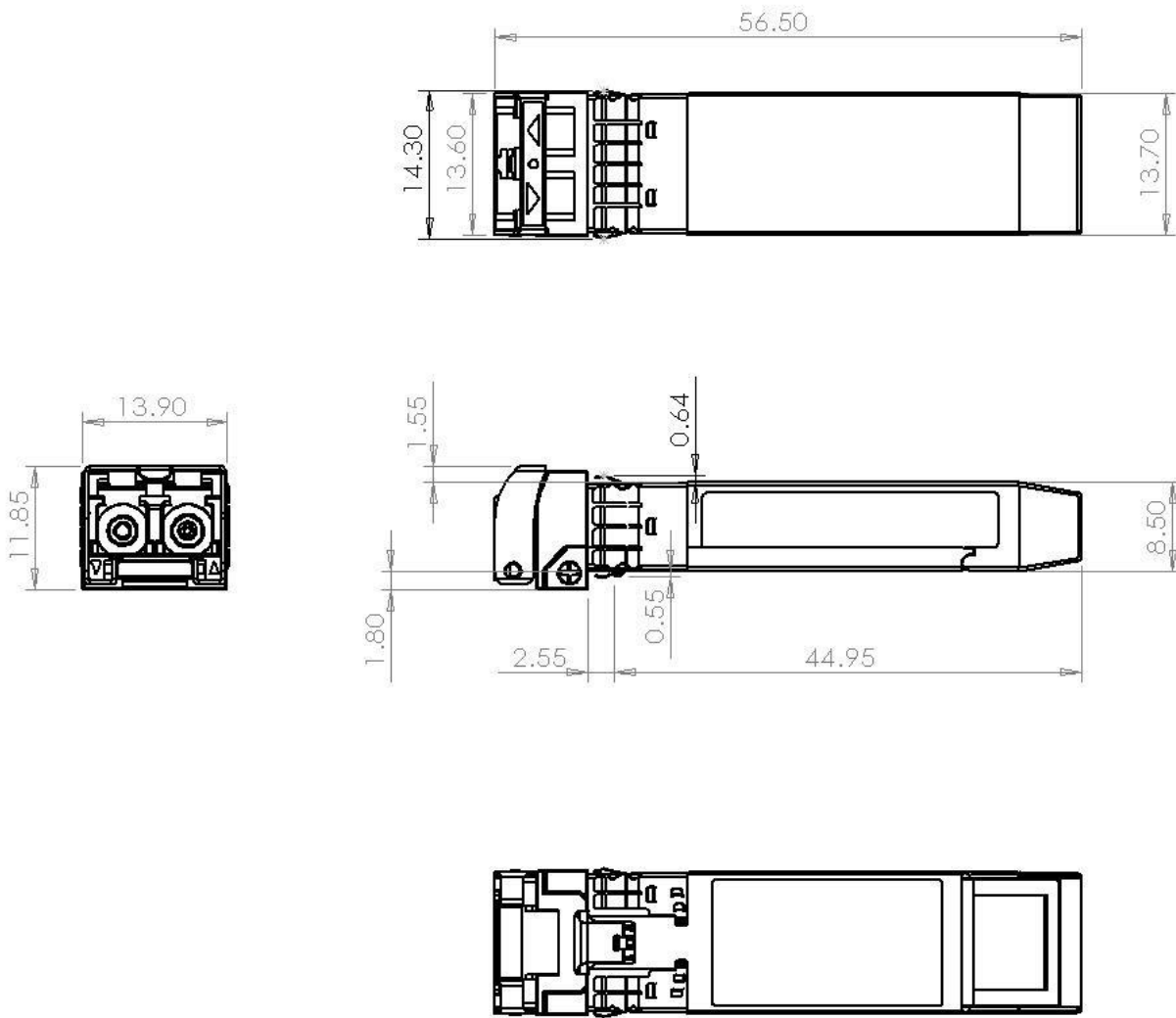


**Pin Descriptions**

<i>PIN</i>	<i>Logic</i>	<i>Symbol</i>	<i>Name / Description</i>	<i>Note</i>
1		VeeT	Module Transmitter Ground	1
2	LVTTL-O	TX_Fault	Module Transmitter Fault	
3	LVTTL-I	TX_Dis	Transmitter Disable; Turns off transmitter laser output	
4	LVTTL-I/O	SDA	2-Wire Serial Interface Data Line	2
5	LVTTL-I	SCL	2-Wire Serial Interface Clock	2
6		MOD_DEF0	Module Definition, Grounded in the module	
7	LVTTL-I	RS0	Receiver Rate Select	
8	LVTTL-O	RX_LOS	Receiver Loss of Signal Indication Active LOW	
9	LVTTL-I	RS1	Transmitter Rate Select (not used)	
10		VeeR	Module Receiver Ground	1
11		VeeR	Module Receiver Ground	1
12	CML-O	RD-	Receiver Inverted Data Output	
13	CML-O	RD+	Receiver Data Output	
14		VeeR	Module Receiver Ground	1
15		VccR	Module Receiver 3.3 V Supply	
16		VccT	Module Receiver 3.3 V Supply	
17		VeeT	Module Transmitter Ground	1
18	CML-I	TD+	Transmitter Non-Inverted Data Input	
19	CML-I	TD-	Transmitter Inverted Data Input	
20		VeeT	Module Transmitter Ground	1




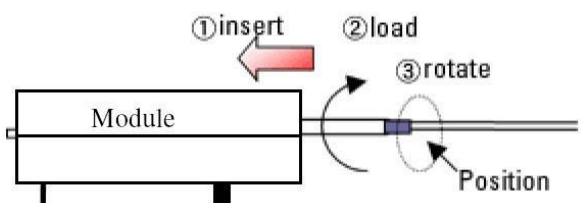
+  
Dimensions



+

**Optical Receptacle Cleaning Recommendations:**

All fiber stubs inside the receptacle portions were cleaned before shipment. In the event of contamination of the optical ports, the recommended cleaning process is the use of forced nitrogen. If contamination is thought to have remained, the optical ports can be cleaned using a NTT international Cletop<sup>®</sup> stick type and HFE7100 cleaning fluid. Before the mating of patch-cord, the fiber end should be cleaned up by using Cletop<sup>®</sup> cleaning cassette.

<p><b>Cleaning of patch-cord</b></p> 	<p><b>Cleaning of fiber stub</b></p>  <ol style="list-style-type: none"> <li><b>1. Insert</b> Ensure that stick is held straight when inserting into sleeve.</li> <li><b>2. Load</b> Apply sufficient pressure (approx 600-700g) to ensure ferrule a little depressed in sleeve.</li> <li><b>3. Rotate</b> Rotate stick clockwise 4-5 times, while ensuring direct contact with ferrule end-face is maintained.</li> </ol> <p><i>Notice: Number of possible wipes: Maintenance (repair) ~1 use / piece Equipment construction: 4 uses / piece (max.)</i></p>
---	--

Note: The pictures were extracted from NTT-ME website. And the Cletop<sup>®</sup> is a trademark registered by NTT-ME

**Ordering Information**

Model Number	Part Number	Reach	Input/Output	Signal Detect	Voltage	Temperature
ASFP28-25G-LR	OPAX-S10-13-IB	10km	AC/AC	TTL	3.3V	-40°C to 85 °C

**Note: All information contained in this document is subject to change without notice.**

**Copyright @ Alpha Bridge Technologies Private Limited**

This document is ABTPL Public Information. ABTPL reserves the right to alter, update, and otherwise change the information contained in the document from time to time. [www.alphabridge.tech](http://www.alphabridge.tech)